



Sleek design 500 Watt Quartz flood with rounded back and fins for superior heat dissipation. Vandalproof stainless steel locking clip. Gold plated socket contacts and 250°C Teflon coated wires for extended lamp life. Lamp supplied.

Color: Bronze

Weight: 3.2 lbs

Project:

Type:

Prepared By:

Date:

Lamp Info

Type	T3
Watts	500.00W
Shape/Size	N/A
Base	N/A
ANSI	N/A
Hours	2,000
Lamp Lumens	11,000
Efficacy	22 LPW

Ballast Info

Type	N/A
120V	N/A
208V	N/A
240V	N/A
277V	N/A
Input Watts	500.00W

Technical Specifications

Listings

UL Listing:

Suitable for wet locations. Suitable for mounting within 1.2m (4ft) of the ground.

Construction

Housing:

Die cast aluminum, 1/2" NPS threaded arm with locking swivel fits all standard mounting covers

Lens Gasket:

High-temperature silicone gasket stays in place during relamping

Reflector:

Semi-specular anodized aluminum

Lens:

Thermal, tempered, shock resistant glass

Finish:

Formulated for high durability and long-lasting color

Electrical

Sockets:

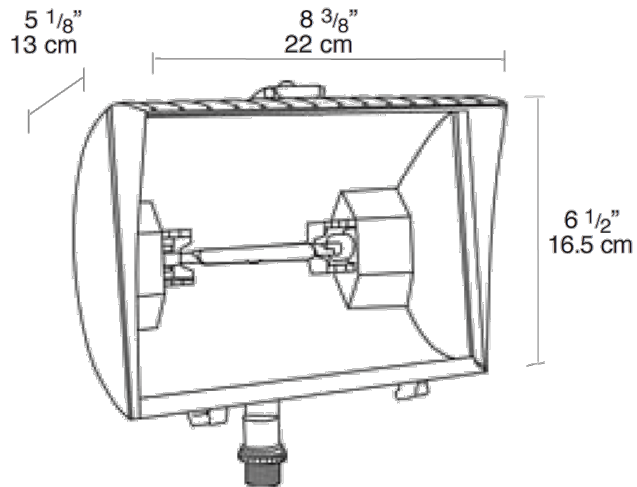
Porcelain RSC base sockets with gold plated spring loaded contacts and strain relieved 250° C Teflon insulated wires

Other

Buy American Act Compliance:

RAB values USA manufacturing! Upon request, RAB may be able to manufacture this product to be compliant with the Buy American Act (BAA). Please contact customer service to request a quote for the product to be made BAA compliant.

Dimensions



Features

- Silicone gasket remains in place during relamping
- 5mm thick, tempered glass lens
- High quality 130 volt (for extended life) Quartz Halogen lamp
- Stainless steel external hardware
- Stainless steel clip with Vandal proof screw capability
- Integra hood glare shield for friendly lighting when properly aimed
- Fins for heat dissipation and extended lamp life